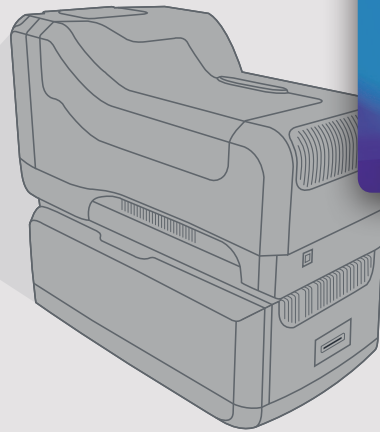
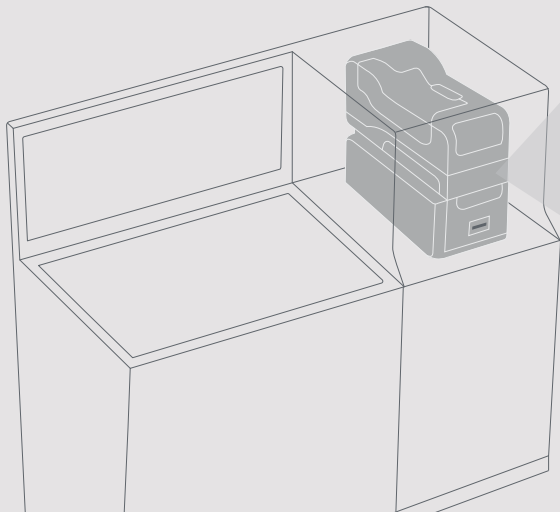


DATACARD® CE870™ KIOSK APPLICATION



UNLOCK OPPORTUNITIES IN EVERY INDUSTRY

The Datacard® CE870™ system enables kiosk-based issuance of payment cards and credentials that create instant opportunities in a range of industries:

Credit, Debit & Loyalty Cards

- Financial
 - In-branch
 - Stand-alone
 - Retail Partnership
- Retail
- Casino & Hospitality

Empower the Self-Serve Customer Experience: Kiosk-Based Card Issuance

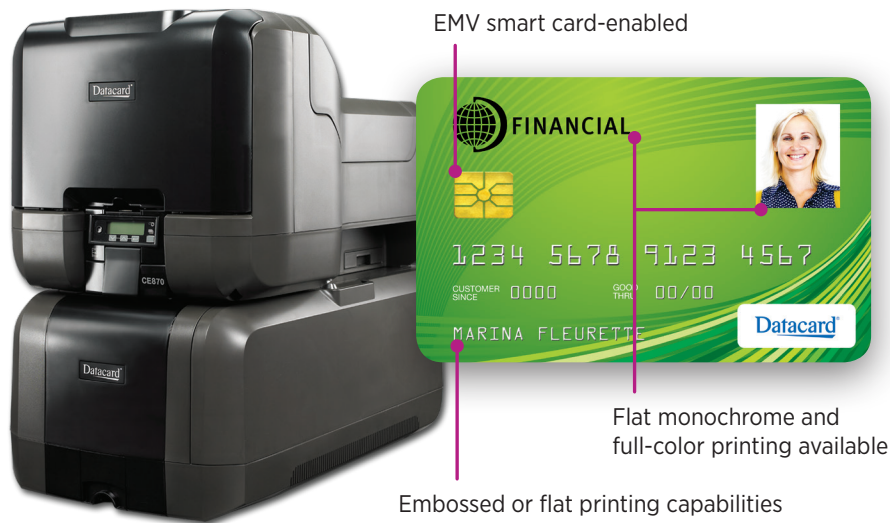
Deliver empowering convenience and transform your in-branch or in-store experience with the next-generation self-service kiosk, driven by the kiosk-based card issuance of the Datacard® CE870™ system. The CE870 system enables instant issuance of high-assurance embossed cards in a self-service environment, unlocking valuable new card issuance opportunities while creating a stand-out customer experience.

Security & Flexibility for Kiosk Environments

Entrust Datacard re-engineered the proven CE870 instant issuance system to deliver unmatched security and adaptability to fit the demands of diverse kiosk environments.

- **Create the Next-Generation Kiosk.** Seamless integration capabilities enable powerful multi-purpose kiosks, virtual teller machines and a variety of third party applications to function with the CE870 system.
- **Print multiple card formats from a single kiosk.** Up to six separate hoppers allow multiple card types such as preprinted, gift, debit and credit, including mag stripe cards and EMV chip cards — personalized with embossing and indent technology or text and images printed directly on the card in just minutes.
- **Ensure secure card output.** Rear output transport and fascia adapts to unique kiosk configurations and a first-of-its-kind card retraction feature ensures secure card output. Physical and logical security features meet Visa and MasterCard standards and deliver the necessary protection for kiosk environments.
- **Manage all issuance with the same software.** Trusted Datacard® CardWizard® issuance software drives both desktop- and kiosk-based instant issuance, enabling simplified management of your card issuance program.
- **Protect your investment.** Tested and proven through more than 4,500 instant issuance deployments worldwide, the CE870 system is optimized for fast integration with kiosk setups and is easily scalable for expanded deployment with a variety of personalization capabilities.

DATACARD® CE870™ KIOSK APPLICATION



Your complete financial instant issuance solution

Manage your card programs the way you want — with exceptional security, reliability and flexibility. The Datacard® CE870™ instant issuance system works seamlessly with Datacard® software, certified supplies and global services to give you a complete financial instant issuance solution.

Software

Datacard® CardWizard® software is the world's best-selling solution for instant issuance of credit, debit and ATM cards. Instantly issue a wide variety of financial cards on-demand and drive new revenue for your financial card program.

Supplies

Datacard® Certified Supplies help you produce highly secure cards instantly. Count on superb image quality and optimize the performance of your Datacard® issuance system.

Services

Datacard Global Services and our worldwide network of authorized service providers are available to answer any questions or promptly address service issues. Backed by more than 40 years of experience, our skilled professionals provide a full range of technical support for your card program.

Datacard® CE870™ System — Kiosk Configuration

- Physical and logical security features to meet Visa and MasterCard standards
- 6 card hoppers
- Rear output transport and fascia adapts to unique configurations
- Card retraction feature with configurable time-out settings to ensure card delivery to the correct user
- Security hardware and software for integrated self-serve environment
- Powered by Datacard® CardWizard® issuance software application
- Secure reject hopper protects rejected cardstock

CE870 Instant Issuance System Features and Specifications

Embossing/Indent

75-character embossing/indenting wheel, financial format per ID-1 ISO 7811-3
Front, rear or both sides of the card
MasterCard security characters | Helvetica® characters | OCR-A1, OCR-B1

Speed

60 seconds to encode mag stripe, indent, emboss and top the card
64 seconds to print monochrome graphics, encode mag stripe, indent, emboss and top the card
78 seconds to print color graphics, encode mag stripe, indent, emboss and top the card

Encoding

Magnetic stripe encoding | ISO 7811, three track high- and low-coercivity

Card capacity

(6) 100-card hoppers based on 0.030 in. card thickness
Output hopper, 10-card capacity | Reject bin, up to 10-card capacity | Exception card slot

Multi-hopper

Six-compartment multi-hopper | Six 100-card hoppers, 600-card total capacity

Smart card personalization

Contact and contactless smart card encoding for ISO 14443 A/B, ISO 7816 and Mifare®
Single-wire connectivity | Supports production of EMV level-1 compliant cards

Security features

Software activated lock to secure card stock, supplies and reject card hopper SSL/TLS encryption, supports 3DES and AES-128 | Bolt-down ready
Kensington® lock compatible (lock sold separately) | Non-resettable card counter for auditing
Card retraction feature with configurable time-out settings to ensure card delivery to the correct users

Display

2-line LCD display
User interface languages available: English, Spanish, German, Italian, Japanese

Physical dimensions

Top module (six-compartment multi-hopper system): 16.5 in. W x 27.5 in. D x 14.5 in. H (41.9 cm x 69.9 cm x 36.8 cm)
Bottom module (embosser): 15 in. W x 27.5 in. D x 10.5 in. H (38.1 cm x 69.9 cm x 36.8 cm)

Weight

Top module (six-compartment multi-hopper, encoding, printing): 33 lbs. (15 kg)
Bottom module (identing, embossing, topping, card output): 40 lbs. (18.1 kg)

Connectivity

Ethernet and USB

Warranty

12-month system warranty

CE870 Instant Issuance System Options

Embossing

Second 75-character wheel for embossing/indenting

Print technology

Direct-to-card dye sublimation/resin thermal transfer printing
One-sided (simplex) and two-sided (duplex), edge-to-edge printing
Full-color and monochrome printing capability
Standard mode: 300 x 300 dots per inch, standard text, bar code and graphics printing
High-quality mode: 300 x 600 dots per inch; enhanced text and graphics printing
Datacard® TrueMatch™ printing technology
Ability to conform to sRGB standard



Corporate Headquarters

Phone: +1 952 933 1223
www.entrustdatacard.com
info@entrustdatacard.com